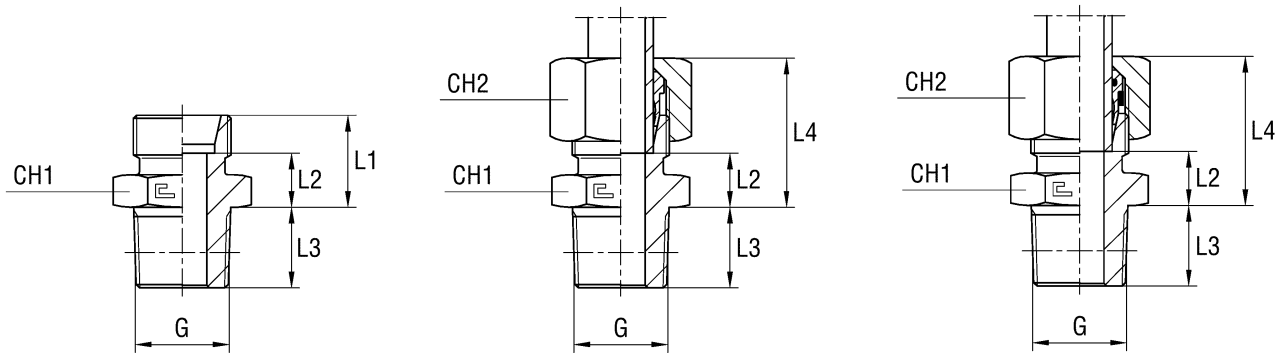


**MALE STUD COUPLING Thread BSP Taper**

Type: **1017... 1** Only Body

Type: **1017.. B3** Ring

Type: **1017... 4B4** Ring



Serie	Bar	Ordering Body	Ordering Equipped B3	Ø Tube	G	L1	L2	L3	L4	CH1	CH2	Ordering Equipped B4
LL	100	101701.1	101701	4	1/8	12	8	8	18,5	12	10	-
		101702.1	101702	6	1/8	12	6,5	8	18,5	12	12	-
		101703.1	101703	8	1/8	14	8,5	8	20,5	12	14	-
L	315	101704.1	101704	6	1/8	14	7	8	22	12	14	101704.4
		101705.1	101705	8	1/4	15	8	12	23	17	17	101705.4
		101706.1	101706	10	1/4	16	9	12	24	17	19	101706.4
		101707.1	101707	12	3/8	17	10	12	24,5	19	22	101707.4
		101708.1	101708	15	1/2	18	11	14	26	24	27	101708.4
	101709.1	101709	18	1/2	19	11,5	14	28	27	32	101709.4	
	160	101710.1	101710	22	3/4	21	13,5	16	30	32	36	101710.4
		101711.1	101711	28	1	22	14,5	18	31	41	41	101711.4
		101712.1	101712	35	1 1/4	25	14,5	20	36	46	50	101712.4
		101713.1	101713	42	1 1/2	27	16	22	39	55	60	101713.4
S	630	101714.1	101714	6	1/4	18	11	12	26	17	17	101714.4
		101715.1	101715	8	1/4	20	13	12	28	17	19	101715.4
		101716.1	101716	10	3/8	20	12,5	12	28,5	19	22	101716.4
		101717.1	101717	12	3/8	22	14,5	12	30,5	22	24	101717.4
		101718.1	101718	14	1/2	24	16	14	34	24	27	101718.4
	400	101719.1	101719	16	1/2	24	15,5	14	34	27	30	101719.4
		101720.1	101720	20	3/4	28	17,5	16	39	32	36	101720.4
		101721.1	101721	25	1	32	20	18	44	41	46	101721.4
		101722.1	101722	30	1 1/4	34	20,5	20	47	46	50	101722.4
	315	101723.1	101723	38	1 1/2	39	23	22	54	55	60	101723.4
L	315	101724.1	101724	6	1/4	15	8	12	22,5	14	14	101724.4
		101725.1	101725	8	1/8	15	8	8	22	14	17	101725.4
		101726.1	101726	8	3/8	16	9	12	25	19	17	101726.4
		101727.1	101727	8	1/2	16	9	14	25	22	17	101727.4
		101728.1	101728	10	1/8	16	9	8	24	17	19	101728.4
		101729.1	101729	10	3/8	17	10	12	25	19	19	101729.4
		101730.1	101730	10	1/2	17	10	14	25	22	19	101730.4
		101731.1	101731	12	1/4	17	10	12	24,5	19	22	101731.4
		101732.1	101732	12	1/2	17	10	14	24,5	22	22	101732.4
		101733.1	101733	15	3/8	18	11	12	26	24	27	101733.4
101734.1	101734	18	3/4	19	11,5	16	28	32	32	101734.4		
S	630	101735.1	101735	12	1/2	22	14,5	14	30,5	22	24	101735.4
		101736.1	101736	14	3/8	24	16	12	34	24	27	101736.4
	400	101737.1	101737	16	3/8	24	15,5	12	34	27	30	101737.4
		101738.1	101738	20	1/2	28	17,5	14	39	32	36	101738.4
		101739.1	101739	25	3/4	32	20	16	44	41	46	101739.4
		101740.1	101740	30	1	34	20,5	18	47	46	50	101740.4

**Note:** If you wish to order a fitting in stainless steel, please change the first two digit from **10.** to **11.**  
Articles not included in ISO 8434-1 norm