

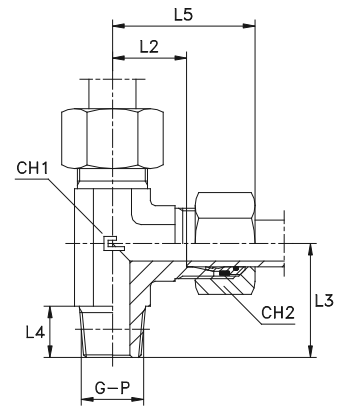
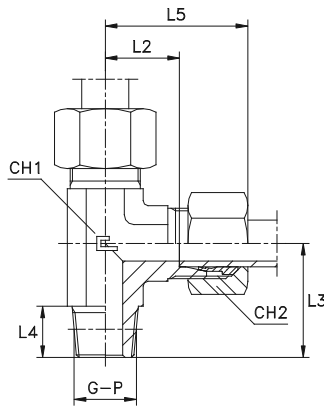
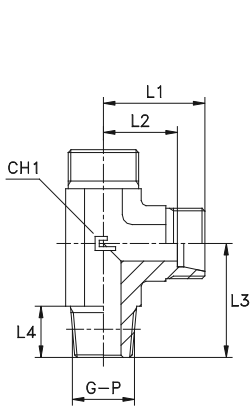
# MALE STUD BARREL TEE

Thread BSP Taper - Thread NPT

Type: **1030...1** Body  
Type: **1031...1** Body

Type: **1030.. B3** Ring  
Type: **1031.. B3** Ring

Type: **1030...4** B4 Ring  
Type: **1031...4** B4 Ring



| Series DIN | 10.... [bar] | 11.... [bar] | Ordering Body | Ordering Equipped B3 | Ø Tube | G     | L1 | L2   | L3 | L4 | L5 | CH1 | CH2 | Ordering Equipped B4 |
|------------|--------------|--------------|---------------|----------------------|--------|-------|----|------|----|----|----|-----|-----|----------------------|
| LL         | 100          | 100          | 103001.1      | 103001               | 4      | 1/8   | 15 | 11   | 17 | 8  | 21 | 9   | 10  | -                    |
|            |              |              | 103002.1      | 103002               | 6      | 1/8   | 15 | 9.5  | 17 | 8  | 21 | 9   | 12  | -                    |
|            |              |              | 103003.1      | 103003               | 8      | 1/8   | 17 | 11.5 | 20 | 8  | 23 | 12  | 14  | -                    |
| L          | 315          | 315          | 103004.1      | 103004               | 6      | 1/8   | 19 | 12   | 20 | 8  | 27 | 12  | 14  | 103004.4             |
|            |              |              | 103005.1      | 103005               | 8      | 1/4   | 21 | 14   | 26 | 12 | 29 | 12  | 17  | 103005.4             |
|            |              |              | 103006.1      | 103006               | 10     | 1/4   | 22 | 15   | 27 | 12 | 30 | 14  | 19  | 103006.4             |
|            |              |              | 103007.1      | 103007               | 12     | 3/8   | 24 | 17   | 28 | 12 | 32 | 17  | 22  | 103007.4             |
|            |              |              | 103008.1      | 103008               | 15     | 1/2   | 28 | 21   | 34 | 14 | 36 | 19  | 27  | 103008.4             |
|            |              |              | 103009.1      | 103009               | 18     | 1/2   | 31 | 23.5 | 36 | 14 | 40 | 24  | 32  | 103009.4             |
|            | 160          | 160          | 103010.1      | 103010               | 22     | 3/4   | 35 | 27.5 | 42 | 16 | 44 | 27  | 36  | 103010.4             |
|            |              |              | 103011.1      | 103011               | 28     | 1     | 38 | 30.5 | 48 | 18 | 47 | 36  | 41  | 103011.4             |
|            |              |              | 103012.1      | 103012               | 35     | 1 1/4 | 45 | 34.5 | 54 | 20 | 56 | 41  | 50  | 103012.4             |
|            |              |              | 103013.1      | 103013               | 42     | 1 1/2 | 51 | 40   | 61 | 22 | 63 | 50  | 60  | 103013.4             |
| S          | 630          | 630          | 103014.1      | 103014               | 6      | 1/4   | 23 | 16   | 26 | 12 | 31 | 12  | 17  | 103014.4             |
|            |              |              | 103015.1      | 103015               | 8      | 1/4   | 24 | 17   | 27 | 12 | 32 | 14  | 19  | 103015.4             |
|            |              |              | 103016.1      | 103016               | 10     | 3/8   | 25 | 17.5 | 28 | 12 | 34 | 17  | 22  | 103016.4             |
|            |              |              | 103017.1      | 103017               | 12     | 3/8   | 29 | 21.5 | 28 | 12 | 38 | 17  | 24  | 103017.4             |
|            |              |              | 103018.1      | 103018               | 14     | 1/2   | 30 | 22   | 32 | 14 | 40 | 19  | 27  | 103018.4             |
|            |              |              | 103019.1      | 103019               | 16     | 1/2   | 33 | 24.5 | 32 | 14 | 43 | 24  | 30  | 103019.4             |
|            | 400          | 400          | 103020.1      | 103020               | 20     | 3/4   | 37 | 26.5 | 42 | 16 | 48 | 27  | 36  | 103020.4             |
|            |              |              | 103021.1      | 103021               | 25     | 1     | 42 | 30   | 48 | 18 | 54 | 36  | 46  | 103021.4             |
|            |              |              | 103022.1      | 103022               | 30     | 1 1/4 | 49 | 35.5 | 54 | 20 | 62 | 41  | 50  | 103022.4             |
|            |              |              | 103023.1      | 103023               | 38     | 1 1/2 | 57 | 41   | 61 | 22 | 72 | 50  | 60  | 103023.4             |

**Note:** If you wish to order AISI 316 stainless steel fittings, please change the first two digits from 10.... to 11....  
If you wish to order AISI 316 stainless steel fittings with AISI 304 stainless steel nuts, please change the first two digits from 10.... to 14....  
Items not included in the ISO 8434-1 Norm available on scheduled orders only

| Series DIN | 10.... [bar] | 11.... [bar] | Ordering Body | Ordering Equipped B3 | Ø Tube | P     | L1   | L2   | L3   | L4   | L5 | CH1 | CH2      | Ordering Equipped B4 |
|------------|--------------|--------------|---------------|----------------------|--------|-------|------|------|------|------|----|-----|----------|----------------------|
| L          | 315          | 315          | 103104.1      | 103104               | 6      | 1/8   | 19   | 12   | 20   | 10   | 27 | 12  | 14       | 103104.4             |
|            |              |              | 103105.1      | 103105               | 8      | 1/4   | 21   | 14   | 26   | 15   | 29 | 12  | 17       | 103105.4             |
|            |              |              | 103106.1      | 103106               | 10     | 1/4   | 22   | 15   | 27   | 15   | 30 | 14  | 19       | 103106.4             |
|            |              |              | 103107.1      | 103107               | 12     | 3/8   | 24   | 17   | 28   | 15   | 32 | 17  | 22       | 103107.4             |
|            |              |              | 103108.1      | 103108               | 15     | 1/2   | 28   | 21   | 34   | 19.5 | 36 | 19  | 27       | 103108.4             |
|            |              |              | 103109.1      | 103109               | 18     | 1/2   | 31   | 23.5 | 36   | 19.5 | 40 | 24  | 32       | 103109.4             |
| S          | 630          | 630          | 103110.1      | 103110               | 22     | 3/4   | 35   | 27.5 | 42   | 20   | 44 | 27  | 36       | 103110.4             |
|            |              |              | 103111.1      | 103111               | 28     | 1     | 38   | 30.5 | 48   | 25   | 47 | 36  | 41       | 103111.4             |
|            |              |              | 103112.1      | 103112               | 35     | 1 1/4 | 45   | 34.5 | 57   | 25.5 | 56 | 41  | 50       | 103112.4             |
|            |              |              | 103113.1      | 103113               | 42     | 1 1/2 | 51   | 40   | 61   | 26   | 63 | 50  | 60       | 103113.4             |
|            |              |              | 103114.1      | 103114               | 6      | 1/4   | 23   | 16   | 26   | 15   | 31 | 12  | 17       | 103114.4             |
|            |              |              | 103115.1      | 103115               | 8      | 1/4   | 24   | 17   | 27   | 15   | 32 | 14  | 19       | 103115.4             |
|            | 400          | 400          | 103116.1      | 103116               | 10     | 3/8   | 25   | 17.5 | 28   | 15   | 34 | 17  | 22       | 103116.4             |
|            |              |              | 103117.1      | 103117               | 12     | 3/8   | 29   | 21.5 | 28   | 15   | 38 | 17  | 24       | 103117.4             |
|            |              |              | 103118.1      | 103118               | 14     | 1/2   | 30   | 22   | 34   | 19.5 | 40 | 19  | 27       | 103118.4             |
|            |              |              | 103119.1      | 103119               | 16     | 1/2   | 33   | 24.5 | 36   | 19.5 | 43 | 24  | 30       | 103119.4             |
| 315        | 315          | 103120.1     | 103120        | 20                   | 3/4    | 37    | 26.5 | 42   | 20   | 48   | 27 | 36  | 103120.4 |                      |
|            |              | 103121.1     | 103121        | 25                   | 1      | 42    | 30   | 48   | 25   | 54   | 36 | 46  | 103121.4 |                      |
|            |              | 103122.1     | 103122        | 30                   | 1 1/4  | 49    | 35.5 | 57   | 25.5 | 62   | 41 | 50  | 103122.4 |                      |
|            |              | 103123.1     | 103123        | 38                   | 1 1/2  | 57    | 41   | 61   | 26   | 72   | 50 | 60  | 103123.4 |                      |

**Note:** If you wish to order AISI 316 stainless steel fittings, please change the first two digits from 10.... to 11....  
If you wish to order AISI 316 stainless steel fittings with AISI 304 stainless steel nuts, please change the first two digits from 10.... to 14....  
Items not included in the ISO 8434-1 Norm available on scheduled orders only