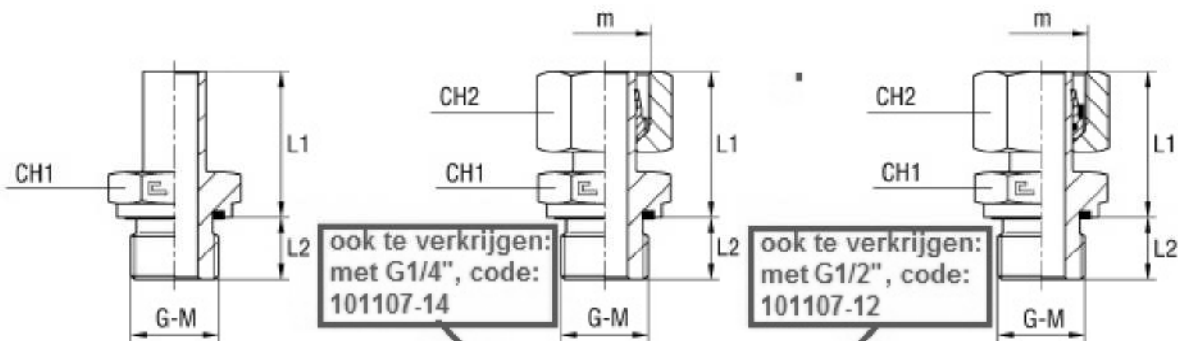


## STUD STANDPIPE ADAPTOR WITH ELASTOMER SEAL Thread BSP Parallel - Thread Metric Parallel

Type: **10CTG..R** Only Body  
Type: **10CTG..M** Only Body

Type: **1011..** B3 Ring  
Type: **1012..** B3 Ring

Type: **1011...4** B4 Ring  
Type: **1012...4** B4 Ring



Serie	Bar	Ordering Body	Ordering Equipped B3	Ø Tube	m	G	L1	L2	CH1	CH2	Ordering Equipped B4
L	315	10CTG04R	101104	6	12x1,5	1/8	24,5	8	14	14	101104.4
		10CTG05R	101105	8	14x1,5	1/4	29,5	12	19	17	101105.4
		10CTG06R	101106	10	16x1,5	1/4	27,5	12	19	19	101106.4
		10CTG07R	101107	12	18x1,5	3/8	34	12	22	22	101107.4
		10CTG08R	101108	15	22x1,5	1/2	32	14	27	27	101108.4
		10CTG09R	101109	18	26x1,5	1/2	31,5	14	27	32	101109.4
	160	10CTG10R	101110	22	30x2	3/4	32,5	16	32	36	101110.4
		10CTG11R	101111	28	36x2	1	35	18	41	41	101111.4
		10CTG12R	101112	35	45x2	1 1/4	42,5	20	50	50	101112.4
		10CTG13R	101113	42	52x2	1 1/2	46,5	22	55	60	101113.4
S	630	10CTG14R	101114	6	14x1,5	1/4	27	12	19	17	101114.4
		10CTG15R	101115	8	16x1,5	1/4	29,5	12	19	19	101115.4
		10CTG16R	101116	10	18x1,5	3/8	32	12	22	22	101116.4
		10CTG17R	101117	12	20x1,5	3/8	34	12	22	24	101117.4
		10CTG18R	101118	14	22x1,5	1/2	36,5	14	27	27	101118.4
		10CTG19R	101119	16	24x1,5	1/2	37	14	27	30	101119.4
	400	10CTG20R	101120	20	30x2	3/4	43	16	32	36	101120.4
		10CTG21R	101121	25	36x2	1	48	18	41	46	101121.4
		10CTG22R	101122	30	42x2	1 1/4	51	20	50	50	101122.4
		10CTG23R	101123	38	52x2	1 1/2	60	22	55	60	101123.4

Note: If you wish to order a fitting in stainless steel, please change the first two digit from 10.. to 11..

Serie	Bar	Ordering Body	Ordering Equipped B3	Ø Tube	m	M	L1	L2	CH1	CH2	Ordering Equipped B4
L	315	10CTG04M	101204	6	12x1,5	10x1	24,5	8	14	14	101204.4
		10CTG05M	101205	8	14x1,5	12x1,5	26,5	12	17	17	101205.4
		10CTG06M	101206	10	16x1,5	14x1,5	27,5	12	19	19	101206.4
		10CTG07M	101207	12	18x1,5	16x1,5	30,5	12	22	22	101207.4
		10CTG08M	101208	15	22x1,5	18x1,5	31,5	12	24	27	101208.4
		10CTG09M	101209	18	26x1,5	22x1,5	31,5	14	27	32	101209.4
	160	10CTG10M	101210	22	30x2	26x1,5	32,5	16	32	36	101210.4
		10CTG11M	101211	28	36x2	33x2	35	18	41	41	101211.4
		10CTG12M	101212	35	45x2	42x2	42,5	20	50	50	101212.4
		10CTG13M	101213	42	52x2	48x2	46,5	22	55	60	101213.4
S	630	10CTG14M	101214	6	14x1,5	12x1,5	27	12	17	17	101214.4
		10CTG15M	101215	8	16x1,5	14x1,5	29,5	12	19	19	101215.4
		10CTG16M	101216	10	18x1,5	16x1,5	32	12	22	22	101216.4
		10CTG17M	101217	12	20x1,5	18x1,5	34	12	24	24	101217.4
		10CTG18M	101218	14	22x1,5	20x1,5	36,5	14	27	27	101218.4
		10CTG19M	101219	16	24x1,5	22x1,5	37	14	27	30	101219.4
	400	10CTG20M	101220	20	30x2	27x2	43	16	32	36	101220.4
		10CTG21M	101221	25	36x2	33x2	48	18	41	46	101221.4
		10CTG22M	101222	30	42x2	42x2	51	20	50	50	101222.4
		10CTG23M	101223	38	52x2	48x2	60	22	55	60	101223.4

Note: If you wish to order a fitting in stainless steel, please change the first two digit from 10.. to 11..