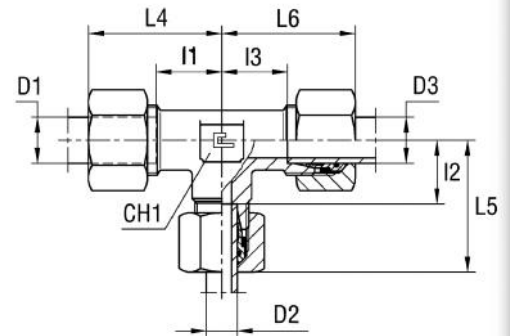
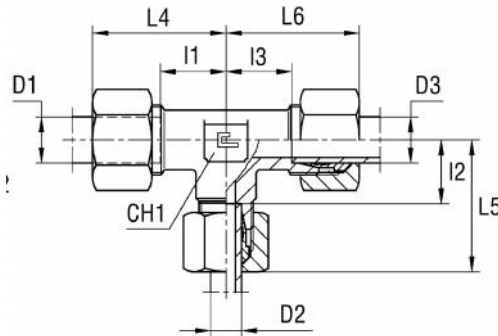
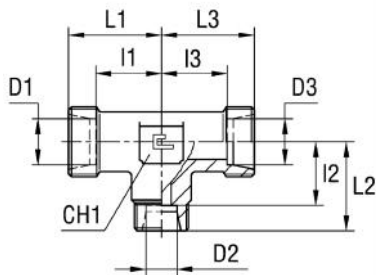


## REDUCING TEE

Type: **1045...1** Only Body

Type: **1045..** B3 Ring

Type: **1045...4** B4 Ring



Serie	Bar	Ordering Body	Ordering Equipped B3	Ø Tube			L1	L2	L3	L4	L5	L6	I1	I2	I3	CH1	Ordering Equipped B4
				D1	D2	D3											
S	630	104543.1	104543	10	6	10	25	25	25	34	33	34	17,5	18	17,5	17	104543.4
		104544.1	104544	12	8	8	29	25	25	38	33	33	21,5	18	18	19	104544.4
		104545.1	104545	12	8	12	29	25	29	38	33	38	21,5	18	21,5	19	104545.4
		104546.1	104546	12	10	12	29	25	29	38	34	38	21,5	17,5	21,5	19	104546.4
	400	104547.1	104547	12	16	12	31	33	31	40	43	40	23,5	24,5	23,5	24	104547.4
		104548.1	104548	16	6	16	33	31	33	43	39	43	24,5	24	24,5	24	104548.4
		104549.1	104549	16	8	16	33	31	33	43	39	43	24,5	24	24,5	24	104549.4
		104550.1	104550	16	10	16	33	31	33	43	40	43	24,5	23,5	24,5	24	104550.4
		104551.1	104551	16	12	16	33	31	33	43	40	43	24,5	23,5	24,5	24	104551.4
		104552.1	104552	16	20	16	36	37	36	46	48	46	27,5	26,5	27,5	27	104552.4
		104553.1	104553	20	10	20	37	34	37	48	43	48	26,5	26,5	26,5	27	104553.4
		104554.1	104554	20	12	20	37	34	37	48	43	48	26,5	26,5	26,5	27	104554.4
		104555.1	104555	20	16	20	37	36	37	48	46	48	26,5	27,5	26,5	27	104555.4
		104556.1	104556	20	25	20	40	42	40	51	54	51	29,5	30	29,5	36	104556.4
		104557.1	104557	25	16	25	42	39	42	54	49	54	30	30,5	30	36	104557.4
		104558.1	104558	25	20	25	42	40	42	54	51	54	30	29,5	30	36	104558.4
		104559.1	104559	25	30	25	47	49	47	59	62	59	35	35,5	35	41	104559.4

**Note:** If you wish to order a fitting in stainless steel, please change the first two digit from **10..** to **11..**.  
Articles available on request only