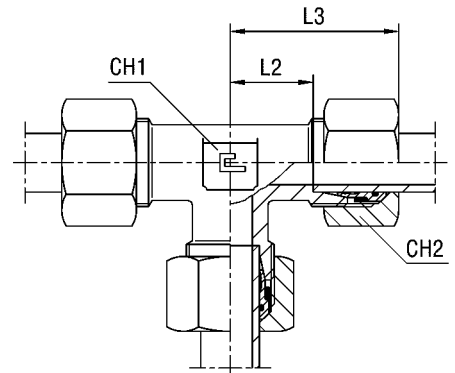
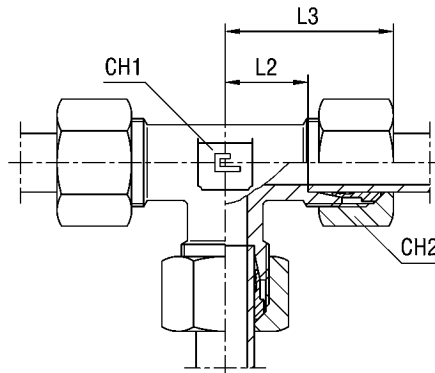
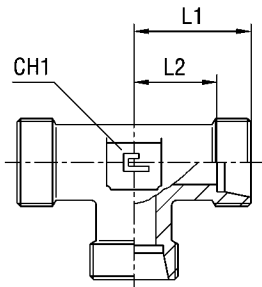


EQUAL TEE

Type: **1039...1** Only Body

Type: **1039...3** B3 Ring

Type: **1039...4** B4 Ring



Serie	Bar	Ordering Body	Ordering Equipped B3	Ø Tube	L1	L2	L3	CH1	CH2	Ordering Equipped B4
LL	100	103901.1	103901	4	15	11	21	9	10	-
		103902.1	103902	6	15	9,5	21	9	12	-
		103903.1	103903	8	17	11,5	23	12	14	-
L	315	103904.1	103904	6	19	12	27	12	14	103904.4
		103905.1	103905	8	21	14	29	12	17	103905.4
		103906.1	103906	10	22	15	30	14	19	103906.4
		103907.1	103907	12	24	17	32	17	22	103907.4
		103908.1	103908	15	28	21	36	19	27	103908.4
		103909.1	103909	18	31	23,5	40	24	32	103909.4
	160	103910.1	103910	22	35	27,5	44	27	36	103910.4
		103911.1	103911	28	38	30,5	47	36	41	103911.4
		103912.1	103912	35	45	34,5	56	41	50	103912.4
		103913.1	103913	42	51	40	63	50	60	103913.4
S	630	103914.1	103914	6	23	16	31	12	17	103914.4
		103915.1	103915	8	24	17	32	14	19	103915.4
		103916.1	103916	10	25	17,5	34	17	22	103916.4
		103917.1	103917	12	29	21,5	38	17	24	103917.4
		103918.1	103918	14	30	22	40	19	27	103918.4
	400	103919.1	103919	16	33	24,5	43	24	30	103919.4
		103920.1	103920	20	37	26,5	48	27	36	103920.4
		103921.1	103921	25	42	30	54	36	46	103921.4
		103922.1	103922	30	49	35,5	62	41	50	103922.4
	315	103923.1	103923	38	57	41	72	50	60	103923.4

Note: If you wish to order a fitting in stainless steel, please change the first two digit from **10.** to **11.**