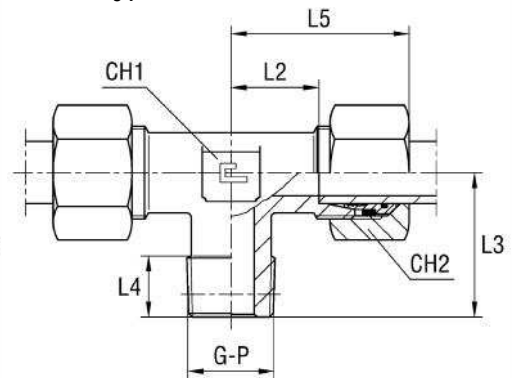
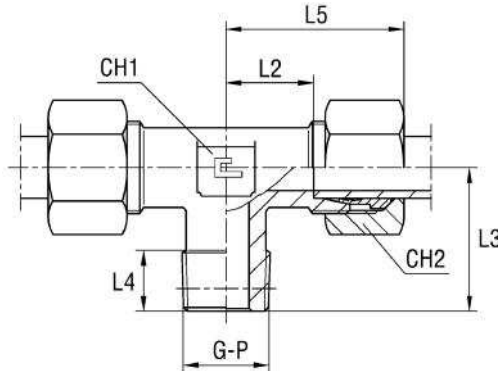
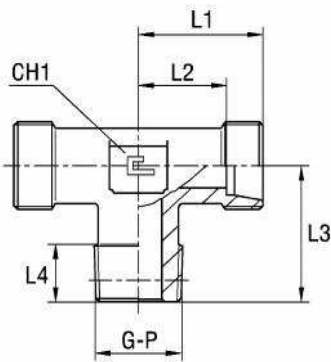


MALE STUD BRANCH TEE Thread BSP Taper - Thread NPT

Type: **1025...1** Only Body
 Type: **1026...1** Only Body

Type: **1025..** B3 Ring
 Type: **1026..** B3 Ring

Type: **1025...4** B4 Ring
 Type: **1026...4** B4 Ring



Serie	Bar	Ordering Body	Ordering Equipped B3	Ø Tube	G	L1	L2	L3	L4	L5	CH1	CH2	Ordering Equipped B4
LL	100	102501.1	102501	4	1/8	15	11	17	8	21	9	10	-
		102502.1	102502	6	1/8	15	9,5	17	8	21	9	12	-
		102503.1	102503	8	1/8	17	11,5	20	8	23	12	14	-
L	315	102504.1	102504	6	1/8	19	12	20	8	27	12	14	102504.4
		102505.1	102505	8	1/4	21	14	26	12	29	12	17	102505.4
		102506.1	102506	10	1/4	22	15	27	12	30	14	19	102506.4
		102507.1	102507	12	3/8	24	17	28	12	32	17	22	102507.4
		102508.1	102508	15	1/2	28	21	34	14	36	19	27	102508.4
		102509.1	102509	18	1/2	31	23,5	36	14	40	24	32	102509.4
	160	102510.1	102510	22	3/4	35	27,5	42	16	44	27	36	102510.4
		102511.1	102511	28	1	38	30,5	48	18	47	36	41	102511.4
		102512.1	102512	35	1 1/4	45	34,5	54	20	56	41	50	102512.4
		102513.1	102513	42	1 1/2	51	40	61	22	63	50	60	102513.4
S	630	102514.1	102514	6	1/4	23	16	26	12	31	12	17	102514.4
		102515.1	102515	8	1/4	24	17	27	12	32	14	19	102515.4
		102516.1	102516	10	3/8	25	17,5	28	12	34	17	22	102516.4
		102517.1	102517	12	3/8	29	21,5	28	12	38	17	24	102517.4
		102518.1	102518	14	1/2	30	22	32	14	40	19	27	102518.4
	400	102519.1	102519	16	1/2	33	24,5	32	14	43	24	30	102519.4
		102520.1	102520	20	3/4	37	26,5	42	16	48	27	36	102520.4
		102521.1	102521	25	1	42	30	48	18	54	36	46	102521.4
		102522.1	102522	30	1 1/4	49	35,5	54	20	62	41	50	102522.4
		102523.1	102523	38	1 1/2	57	41	61	22	72	50	60	102523.4

Note: If you wish to order a fitting in stainless steel, please change the first two digit from **10..** to **11..**.
 Articles not included in ISO 8434-1 norm available on scheduled orders only

Serie	Bar	Ordering Body	Ordering Equipped B3	Ø Tube	P	L1	L2	L3	L4	L5	CH1	CH2	Ordering Equipped B4
L	315	102604.1	102604	6	1/8	19	12	20	10	27	12	14	102604.4
		102605.1	102605	8	1/4	21	14	26	15	29	12	17	102605.4
		102606.1	102606	10	1/4	22	15	27	15	30	14	19	102606.4
		102607.1	102607	12	3/8	24	17	28	15	32	17	22	102607.4
		102608.1	102608	15	1/2	28	21	34	19,5	36	19	27	102608.4
		102609.1	102609	18	1/2	31	23,5	36	19,5	40	24	32	102609.4
	160	102610.1	102610	22	3/4	35	27,5	42	20	44	27	36	102610.4
		102611.1	102611	28	1	38	30,5	48	25	47	36	41	102611.4
		102612.1	102612	35	1 1/4	45	34,5	57	25,5	56	41	50	102612.4
		102613.1	102613	42	1 1/2	51	40	61	26	63	50	60	102613.4
S	630	102614.1	102614	6	1/4	23	16	26	15	31	12	17	102614.4
		102615.1	102615	8	1/4	24	17	27	15	32	14	19	102615.4
		102616.1	102616	10	3/8	25	17,5	28	15	34	17	22	102616.4
		102617.1	102617	12	3/8	29	21,5	28	15	38	17	24	102617.4
		102618.1	102618	14	1/2	30	22	34	19,5	40	19	27	102618.4
	400	102619.1	102619	16	1/2	33	24,5	36	19,5	43	24	30	102619.4
		102620.1	102620	20	3/4	37	26,5	42	20	48	27	36	102620.4
		102621.1	102621	25	1	42	30	48	25	54	36	46	102621.4
		102622.1	102622	30	1 1/4	49	35,5	57	25,5	62	41	50	102622.4
		102623.1	102623	38	1 1/2	57	41	61	26	72	50	60	102623.4

Note: If you wish to order a fitting in stainless steel, please change the first two digit from **10..** to **11..**.
 Articles not included in ISO 8434-1 norm available on scheduled orders only